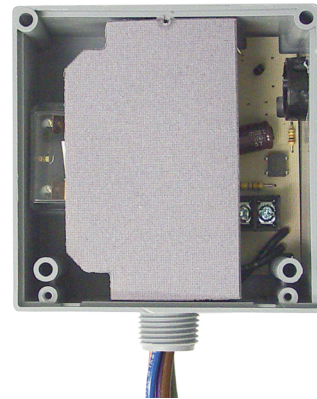
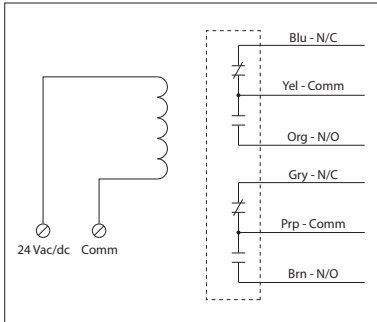


20 AMP POWER CONTROL RELAY

RIBT24P

Enclosed Relay Hi/Low Separation 20 Amp
DPDT with 24 Vac/dc Coil



Made in USA
Meets
"Buy American"
of ARRA 2009

RELAYS

SPECIFICATIONS

- # Relays & Contact Type: One (1) DPDT Continuous Duty Coil
- Expected Relay Life: 10 million cycles minimum mechanical
- Operating Temperature: -30 to 140° F
- Humidity Range: 5 to 95% (noncondensing)
- Operate Time: 18ms
- Relay Status: LED On = Activated
- Dimensions: 4.00" x 4.00" x 1.80" with .50" NPT Nipple
- Wires: 16", 600V Rated
- Approvals: UL Listed, UL916, UL864, C-UL California State Fire Marshal
- Housing Rating: UL Accepted for Use in Plenum, NEMA 1
- Gold Flash: Yes
- Override Switch: No

- Contact Ratings:**
- 20 Amp Resistive @ 300 Vac
- 20 Amp Resistive @ 28 Vdc
- 20 Amp Ballast @ 277-480 Vac
- Not rated for Electronic Ballast*
- 15 Amp Resistive @ 600 Vac
- 770 VA Pilot Duty @ 120 Vac
- 1158 VA Pilot Duty @ 240 Vac
- 1109 VA Pilot Duty @ 277 Vac
- 1640 VA Pilot Duty @ 480 Vac
- Heavy Pilot Duty @ 600 Vac
- 3 HP @ 480-600 Vac
- 2 HP @ 240-277 Vac
- 1 HP @ 120 Vac

- Coil Current:**
- 110 mA @ 20 Vac
- 138 mA @ 24 Vac
- 55 mA @ 20 Vdc
- 55 mA @ 24 Vdc
- 77 mA @ 30 Vdc

- Coil Voltage Input:**
- 24 Vac/dc ; 50-60 Hz
- Drop Out = 3 Vac / 3.8 Vdc
- Pull In = 20 Vac / 20 Vdc